



DELTA ELECTRONICS, INC. VARIABLE SPEED DRIVE SELECTION GUIDE





www.mep.ca



VFD-B Selection Table
Sensorless Vector AC Drive

Nominal Drive Rating		230V Single Phase Input *	Rated Output	230V Three Phase Input	Rated Output	460V Three Phase Input	Rated Output	600V Three Phase Input	Rated Output
HP	kW	Part Number	Current (A)	Part Number	Current (A)	Part Number	Current (A)	Part Number	Current (A)
1	0,7	VFD007B21A	5	VFD007B23A	5	VFD007B43A	2,7	VFD007B53A	1,7
2	1,5	VFD015B21B	7	VFD015B23B	7	VFD015B43A	4,2	VFD015B53A	3,5
3	2,2	VFD022B21A	11	VFD022B23B	11	VFD022B43B	5,5	VFD022B53A	4,5
5	3,7	Not Available		VFD037B23A	17	VFD037B43A	8,5	VFD037B53A	7,5
7,5	5,5		VFD055B23A	25	VFD055B43A	13	VFD055B53A	10	
10	7,5		VFD075B23A	33	VFD075B43A	18	VFD075B53A	13,5	
15	11		VFD110B23A	49	VFD110B43A	24	VFD110B53A	19	
20	15		VFD150B23A	65	VFD150B43A	32	VFD150B53A	22	
25	18,5		VFD185B23A	75	VFD185B43A	38	VFD185B53A	27	
30	22		VFD220B23A	90	VFD220B43A	45	VFD220B53A	34	
40	30		VFD300B23A	120	VFD300B43A	60	VFD300B53A	41	
50	37		VFD370B23A	145	VFD370B43A	73	VFD370B53A	52	
60	45				VFD450B43A	91	VFD450B53A	62	
75	55				VFD550B43A	110	VFD550B53A	80	
100	75				VFD750B43A	150	VFD750B53A	100	

Notes:

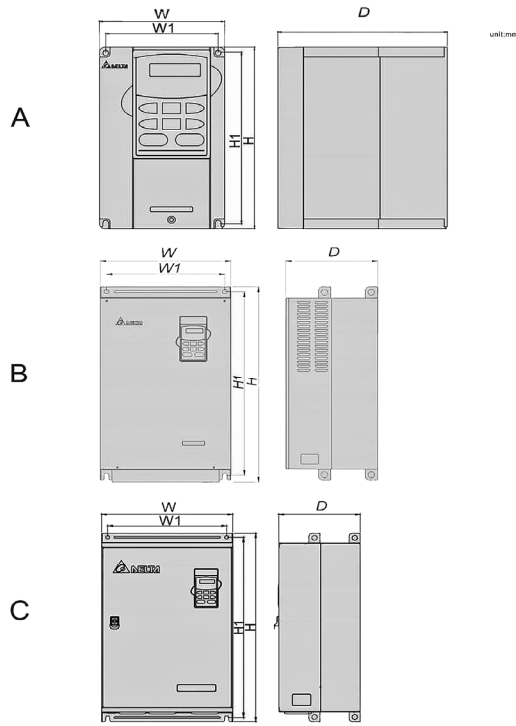
- 1 All VFD-B drives are Constant Torque rated.
- 2 All VFD-B drives are Nema 1 rated enclosures.
- 3 All VFD-B drives are UL, cUL and CE marked.
- 4 An EMI filter is required to conform to the CE EMI directive.
- 5 Please refer to the Accessory list for optional items used with the drives above.
- 6 * All 230V single phase input drives accept both single and three phase inputs.

Part Number Description

VFD	015	B	2	3	A
Variable Frequency Drive	kW rating	Drive Series	Voltage	Phase	Version
	015 = 1.5kW		2 = 230V	1 = single	A = 1st version
	220 = 22.0kW		4 = 460V	3 = three	B = 2nd version
			5 = 575V		

MEP TORONTO - T: 1-877-812-7788 - F: 905-829-8155 - EMAIL: information@mep.ca - WEB: www.mep.ca
MEP MONTREAL - T:1-800-361-2347 - F: 514-352-7803 - EMAIL: info@mep.ca - WEB: www.mep.ca

B SERIES DIMENSIONS



■ Dimensions

unit: mm (in)

Model	W	W1	H	H1	D	Fan cooled	Fig
VFD007B21A	118(4.65)	108(4.25)	185(7.28)	173(6.81)	160(6.30)	NO	A
VFD007B23A	118(4.65)				145(5.71)	NO	
VFD007B43A	118(4.65)				145(5.71)	NO	
VFD007B53A	118(4.65)				145(5.71)	NO	
VFD015B21A	118(4.65)	108(4.25)	185(7.28)	173(6.81)	160(6.30)	NO	A
VFD015B21B	118(4.65)				145(5.71)	Yes	
VFD015B23A	118(4.65)				160(6.30)	NO	
VFD015B23B	118(4.65)				145(5.71)	Yes	
VFD015B43A	118(4.65)				160(6.30)	NO	
VFD015B53A	118(4.65)				160(6.30)	NO	
VFD022B21A	150(5.91)	135(5.32)	260(10.24)	244.3(9.68)	160.2(6.31)	Yes	A
VFD022B23B	118(4.65)	108(4.25)	185(7.28)	173(6.81)	145(5.71)	Yes	
VFD022B43A	118(4.65)	108(4.25)	185(7.28)	173(6.81)	145(5.71)	Yes	
VFD022B43B	118(4.65)	108(4.25)	185(7.28)	173(6.81)	145(5.71)	Yes	
VFD037B23A	150(5.91)	135(5.32)	260(10.24)	244.3(9.68)	160.2(6.31)	Yes	A
VFD037B43A						Yes	
VFD037B53A						Yes	
VFD055B23A	200(7.88)	185.6(7.31)	323(12.72)	303(11.93)	183.2(7.22)	Yes	A
VFD055B43A						Yes	
VFD055B533						Yes	
VFD075B23A	200(7.88)	185.6(7.31)	323(12.72)	303(11.93)	183.2(7.22)	Yes	A
VFD075B43A						Yes	
VFD075B53A						Yes	
VFD110B23A	200(7.88)	185.6(7.31)	323(12.72)	303(11.93)	183.2(7.22)	Yes	A
VFD110B43A						Yes	
VFD110B53A						Yes	
VFD150B23A	250(9.84)	226(8.90)	430.8(15.90)	384(15.12)	205.4(8.08)	Yes	A
VFD150B43A						Yes	
VFD150B53A						Yes	
VFD185B23A	250(9.84)	226(8.90)	430.8(15.90)	384(15.12)	205.4(8.08)	Yes	A
VFD185B43A						Yes	
VFD185B53A						Yes	
VFD220B23A	250(9.84)	226(8.90)	430.8(15.90)	384(15.12)	205.4(8.08)	Yes	A
VFD220B43A						Yes	
VFD220B53A						Yes	
VFD300B23A	370(14.57)	335(13.19)	595(23.43)	560(22.55)	260(10.24)	Yes	B
VFD300B43A	370(14.57)	335(13.19)	589(23.19)	560(22.55)	260(10.24)	Yes	
VFD300B53A	370(14.57)	335(13.19)	589(23.19)	560(22.55)	260(10.24)	Yes	
VFD370B23A	370(14.57)	335(13.19)	595(23.43)	560(22.55)	260(10.24)	Yes	B
VFD370B43A	370(14.57)	335(13.19)	589(23.19)	560(22.55)	260(10.24)	Yes	
VFD370B53A	370(14.57)	335(13.19)	589(23.19)	560(22.55)	260(10.24)	Yes	
VFD450B43A	370(14.57)	335(13.19)	589(23.19)	560(22.55)	260(10.24)	Yes	B
VFD450B53A						Yes	
VFD550B43A	425(16.73)	385(15.16)	660(25.98)	631(24.84)	280(11.02)	Yes	C
VFD550B53A	370(14.57)	335(13.19)	595(23.43)	560(22.55)	260(10.24)	Yes	
VFD750B43A	425(16.73)	385(15.16)	660(25.98)	631(24.84)	280(11.02)	Yes	C
VFD750B53A	370(14.57)	335(13.19)	595(23.43)	560(22.55)	260(10.24)	Yes	

*We reserve the right of this catalogue contained information change without prior notice



www.mep.ca



VFD-M Selection Table
Sensorless Vector Micro AC Drive

Nominal Drive Rating		230V Single Phase Input *	Rated Output	230V Three Phase Input	Rated Output	460V Three Phase Input	Rated Output	600V Three Phase Input	Rated Output
HP	kW	Part Number	Current (A)	Part Number	Current (A)	Part Number	Current (A)	Part Number	Current (A)
1/2	0,4	VFD004M21B	2,5	Use Single Phase See Note 6		Not Available		Not Available	
1	0,7	VFD007M21B	5			VFD007M43B	3	VFD007M53A	1,7
2	1,5	VFD015M21B	7	VFD015M23A	7	VFD015M43B	4	VFD015M53A	3
3	2,2	VFD022M21A	10	VFD022M23B	10	VFD022M43B	5	VFD022M53A	4,2
5	3,7	Not Available		VFD037M23A	17	VFD037M43A	8,2	VFD037M53A	6,6
7,5	5,5			VFD055M23A	25	VFD055M43A	13	VFD055M53A	9,9
10	7,5			VFD075M43A	18	VFD075M53A	12,2		

Normal Drive Rating		Rated Output	115V Single Phase Input
HP	kW	Current (A)	Part Number
1/4	0,2	1,6	VFD002M11A
1/2	0,4	2,5	VFD004M11A
1	0,7	4,2	VFD007M11A

Nominal Drive Rating		230V Single Phase Input *	Rated Output
HP	kW	Part Number	Current (A)
1/2	0,4	VFD004M21A	2,5
1	0,7	VFD007M21A	5
2	1,5	VFD015M21A	7

The VFD-M drives shown to the left are smaller in physical size compared to the similar HP drive show above. Due to size, these drives are not CE approved, but are UL listed.

Notes:

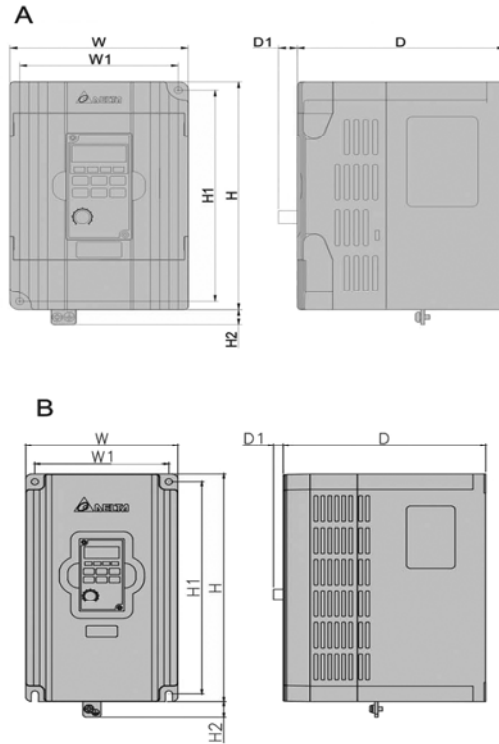
- All VFD-M drives are Constant Torque rated.
- All VFD-M drives are IP20 rated enclosures.
- All VFD-M drives are UL, cUL and CE marked, unless otherwise noted.
- An EMI filter is required to conform to the CE EMI directive.
- Please refer to the Accessory list for optional items used with the drives above.
- * All 230V single phase input drives accept both single and three phase inputs.

Part Number Description

VFD	015	M	2	3	A
Variable Frequency Drive	kW rating 015 = 1.5kW 055 = 5.5kW	Drive Series	Voltage 2 = 230V 4 = 460V 5 = 575V	Phase 1 = single 3 = three	Version A = 1st version B = 2nd version

MEP TORONTO - T: 1-877-812-7788 - F: 905-829-8155 - EMAIL: information@mep.ca - WEB: www.mep.ca
MEP MONTREAL - T: 1-800-361-2347 - F: 514-352-7803 - EMAIL: info@mep.ca - WEB: www.mep.ca

M SERIES
DIMENSIONS



■ Dimensions

unit: mm (in)

Model	W	W1	H	H1	D	D1	Fan	Fig
VFD002M11A	100(3.94)	89(3.50)	151(5.94)	140(5.51)	116.5(4.59)	10.5(0.41)	Yes	A
VFD004M11A	100(3.94)	89(3.50)	151(5.94)	140(5.51)	116.5(4.59)	10.5(0.41)	Yes	A
VFD004M21A	85(3.35)	74(2.91)	141.5(5.57)	130.5(5.14)	113.0(4.45)	10.0(0.39)	Yes	
VFD004M21B	100(3.94)	89(3.50)	151(5.94)	140(5.51)	116.5(4.59)	10.5(0.41)	Yes	
VFD004M23A	85(3.35)	74(2.91)	141.5(5.57)	130.5(5.14)	113.0(4.45)	10.0(0.39)	Yes	
VFD007M11A	100(3.94)	89(3.50)	151(5.94)	140(5.51)	116.5(4.59)	10.5(0.41)	Yes	A
VFD007M21A	85(3.35)	74(2.91)	141.5(5.57)	130.5(5.14)	113.0(4.45)	10.0(0.39)	Yes	
VFD007M21B	100(3.94)	89(3.50)	151(5.94)	140(5.51)	116.5(4.59)	10.5(0.41)	Yes	
VFD007M23A	85(3.35)	74(2.91)	141.5(5.57)	130.5(5.14)	113.0(4.45)	10.0(0.39)	Yes	
VFD007M43B	100(3.94)	89(3.50)	151(5.94)	140(5.51)	116.5(4.59)	10.5(0.41)	Yes	
VFD007M53A	100(3.94)	89(3.50)	151(5.94)	140(5.51)	116.5(4.59)	10.5(0.41)	Yes	
VFD015M21A	85(3.35)	74(2.91)	141.5(5.57)	130.5(5.14)	113.0(4.45)	10.0(0.39)	Yes	
VFD015M21B	100(3.94)	89(3.50)	151(5.94)	140(5.51)	116.5(4.59)	10.5(0.41)	Yes	A
VFD015M23A	85(3.35)	74(2.91)	141.5(5.57)	130.5(5.14)	113.0(4.45)	10.0(0.39)	Yes	
VFD015M43B	100(3.94)	89(3.50)	151(5.94)	140(5.51)	116.5(4.59)	10.5(0.41)	Yes	
VFD015M53A	100(3.94)	89(3.50)	151(5.94)	140(5.51)	116.5(4.59)	10.5(0.41)	Yes	
VFD022M21A	125(4.92)	110(4.33)	220(8.66)	205(8.07)	166.3(6.55)	8.2(0.32)	Yes	
VFD022M23B	100(3.94)	89(3.50)	151(5.94)	140(5.51)	116.5(4.59)	10.5(0.41)	Yes	A
VFD022M43B	100(3.94)	89(3.50)	151(5.94)	140(5.51)	116.5(4.59)	10.5(0.41)	Yes	A
VFD022M53A	100(3.94)	89(3.50)	151(5.94)	140(5.51)	116.5(4.59)	10.5(0.41)	Yes	A
VFD037M23A	125(4.92)	110(4.33)	220(8.66)	205(8.07)	166.3(6.55)	8.2(0.32)	Yes	B
VFD037M43A							Yes	
VFD037M53A							Yes	
VFD055M23A	125(4.92)	110(4.33)	220(8.66)	205(8.07)	166.3(6.55)	8.2(0.32)	Yes	B
VFD055M43A							Yes	
VFD055M53A							Yes	
VFD075M43A	125(4.92)	110(4.33)	220(8.66)	205(8.07)	166.3(6.55)	8.2(0.32)	Yes	B
VFD075M53A							Yes	

*We reserve the right of this catalogue contained information change without prior noti



www.mep.ca



VFD-S Selection Table General Purpose Micro AC Drive

Nominal Drive Rating		230V Single Phase Input *	Rated Output Current (A)	230V Three Phase Input	460V Three Phase Input	Rated Output Current (A)
HP	kW	Part Number		Part Number	Part Number	
1/4	0,2	VFD002S21B	1,6	All 230V drives accept both single and three phase input.	Not Available	
1/2	0,4	VFD004S21B	2,5		VFD004S43B	1,5
1	0,7	VFD007S21B	4,2		VFD007S43B	2,5
2	1,5	VFD015S21U	7,5		VFD015S43B	4,2
3	2,2	VFD022S21U	11		VFD022S43U	5,5

Nominal Drive Rating		115V Single Phase Input	Rated Output Current (A)
HP	kW	Part Number	
1/4	0,2	VFD002S11B	1,6
1/2	0,4	VFD004S11B	2,5
1	0,7	VFD007S11B	4,2

Notes:

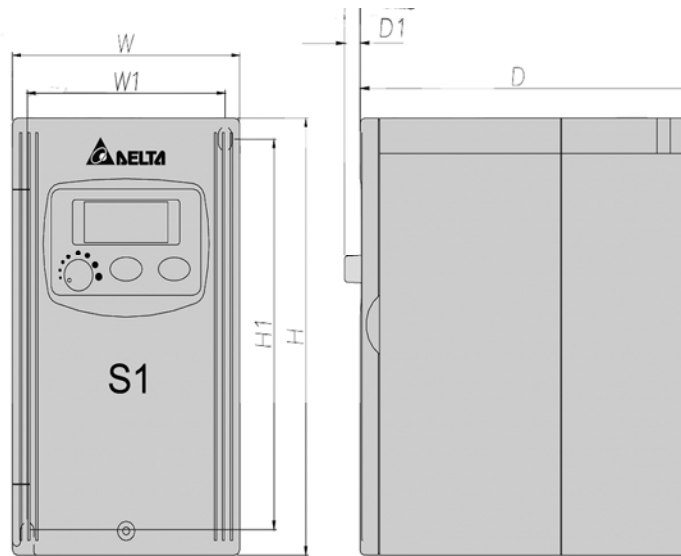
- 1 All VFD-S drives are Constant Torque rated.
- 2 All VFD-S drives are Nema 1 rated enclosures.
- 3 All VFD-S drives are UL, cUL and CE marked.
- 4 An EMI filter is required to conform to the CE EMI directive.
- 5 Please refer to the Accessory list for optional items used with the drives above.

Part Number Description

VFD	015	S	2	3	B
Variable Frequency Drive	kW rating	Drive Series	Voltage	Phase	Version
	015 = 1.5kW		1 = 115V	1 = single	B = 1st version
	220 = 22.0kW		2 = 230V	3 = three	U = 2nd version
			4 = 460V		

MEP TORONTO - T: 1-877-812-7788 - F: 905-829-8155 - EMAIL: information@mep.ca - WEB: www.mep.ca
MEP MONTREAL - T:1-800-361-2347 - F: 514-352-7803 - EMAIL: info@mep.ca - WEB: www.mep.ca

S SERIES
DIMENSIONS



unit:mm

■ Dimensions

unit: mm (inch)

Model	W	W1	H	H1	D	D1	Fan cooled
VFD002S11A	85.0	74.0	148.0	132.2	88.0	5.8	NO
VFD002S21A	(3.35)	(2.92)	(5.83)	(5.21)	(3.47)	(0.23)	NO
VFD002S23A							NO
VFD002S11B							NO
VFD002S21B							NO
VFD002S23B							NO
VFD002S21E	85.0	74.0	148.0	133.7	127.0	5.8	YES
VFD004S21E	(3.35)	(2.92)	(5.83)	(5.27)	(5.00)	(0.23)	YES
VFD007S21E							YES
VFD015S23D							YES
VFD004S11A	85.0	74.0	148.0	132.2	102.0	5.8	NO
VFD004S21A	(3.35)	(2.92)	(5.83)	(5.21)	(4.02)	(0.23)	NO
VFD004S23A							NO
VFD004S11B							NO
VFD004S21B							NO
VFD004S23B							NO
VFD004S43A	85.0	74.0	148.0	132.2	124.0	5.8	NO
VFD004S43B	(3.35)	(2.92)	(5.83)	(5.21)	(4.89)	(0.23)	NO
VFD004S43E							NO
VFD007S21A							NO
VFD007S23A							NO
VFD007S21B							NO
VFD007S23B							NO
VFD007S43A	85.0	74.0	148.0	132.2	126.0	5.8	YES
VFD007S43B	(3.35)	(2.92)	(5.83)	(5.21)	(4.96)	(0.23)	YES
VFD007S43E							YES
VFD007S11A	100.0	86.5	186.0	173.0	129.0	5.4	NO
VFD007S11B	(3.94)	(3.41)	(7.33)	(6.82)	(5.08)	(0.21)	NO
VFD015S21B							YES
VFD015S23B							YES
VFD015S43A							YES
VFD015S43B/E							YES
VFD022S23A							YES
VFD022S23B							YES
VFD022S43A							YES
VFD022S43B							YES
VFD015S21A	100.0	86.5	186.0	173.0	143.0	5.4	NO
VFD015S23A	(3.94)	(3.41)	(7.33)	(6.82)	(5.63)	(0.21)	NO
VFD015S21D/E	100.0	86.5	186.0	173.0	129.3	5.4	YES
VFD015S43D/E	(3.94)	(3.41)	(7.33)	(6.82)	(5.09)	(0.21)	YES
VFD022S21D/E							YES
VFD022S23D							YES
VFD022S43D/E							YES
VFD022S21A/B	118.0	105.5	220.0	207.0	130.9	4.4	YES
	(4.65)	(4.16)	(8.67)	(8.16)	(5.16)	(0.17)	

*We reserve the right of this catalogue contained information change without prior notice.



www.mep.ca



VFD-L Selection Table Sub-Fractional AC Drive

Nominal Drive Rating		115V Single Phase Input		230V Single Phase Input *	
HP	kW	Part Number	O/P Rated Amps	Part Number	O/P Rated Amps
1/20	0,04	VFD40WL11A	.28/.4	VFD40WL21A	.28/.4
1/8	0,1	VFD001L11A	.56/.8	VFD001L21A	.56/.8
1/4	0,2	VFD002L11A	1,6	VFD002L21A	1,6
1/2	0,4	VFD004L11A	2,5	VFD004L21A	2,5
1	0,75	Not Available		VFD007L21A	4,2
2	1,5			VFD015L23A	7

Internal EMI Filter in below drives

HP	kW	Part Number	O/P Rated Amps	Part Number	O/P Rated Amps
1/20	0,04	VFD40WL11B	.28/.4	VFD40WL21B	.28/.4
1/8	0,1	VFD001L11B	.56/.8	VFD001L21B	.56/.8
1/4	0,2	VFD002L11B	1,6	VFD002L21B	1,6
1/2	0,4	VFD004L11B	2,5	VFD004L21B	2,5
1	0,75	Not Available		VFD007L21B	4,2

Notes:

- 1 All VFD-L drives are Constant Torque rated.
- 2 All VFD-L drives are IP20 rated enclosures.
- 3 All VFD-L drives are UL, cUL and CE marked.
- 4 All VFD-L drives (version A) require an EMI filter to conform to the CE EMI directive.
- 5 All VFD-L drives (version B) have the EMI filter built-in and conform to CE EMI directive.
- 6 Please refer to the Accessory list for optional items used with the drives above.
- 7 * All 230V single phase input drives accept both single and three phase inputs.

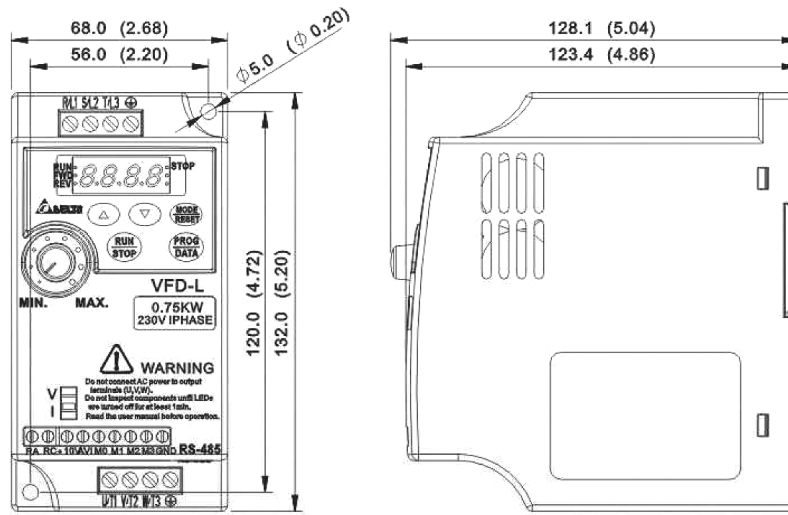
Part Number Description

VFD	015	L	2	3	A
Variable Frequency Drive	kW rating	Drive Series	Voltage	Phase	Version
	001 = 0.1kW		1 = 115V	1 = single	A = 1st version
	40W = 40W		2 = 230V	3 = three	B = 2nd version

MEP TORONTO - T: 1-877-812-7788 - F: 905-829-8155 - EMAIL: information@mep.ca - WEB: www.mep.ca
 MEP MONTREAL - T:1-800-361-2347 - F: 514-352-7803 - EMAIL: info@mep.ca - WEB: www.mep.ca

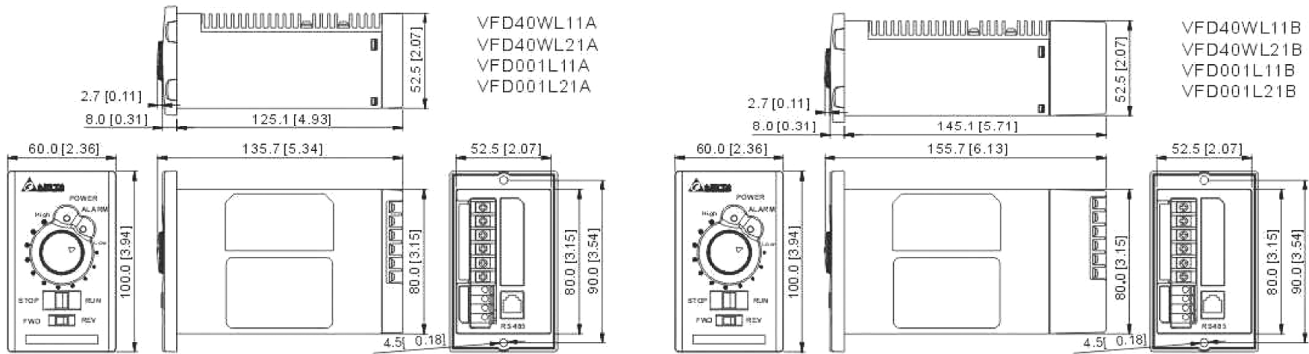
Dimensions

115V, 200W – 400W
230V, 200W – 1.5KW

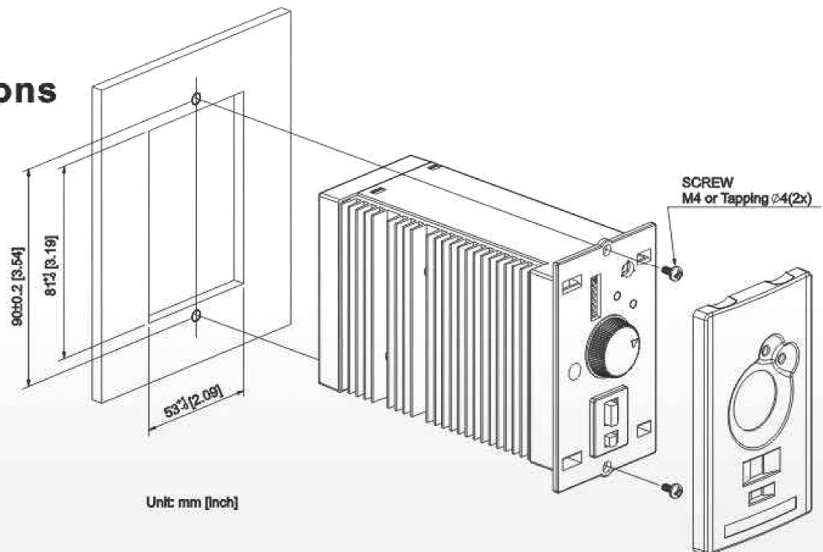


Dimensions

115V / 230V
25W – 100W



Installation Dimensions





www.mep.ca



VFD-F Selection Table
Variable Torque AC Drive

Nominal Drive Rating		230V		460V	
		Three Phase Input		Three Phase Input	
HP	kW	Part Number	O/P Rated Amps	Part Number	O/P Rated Amps
1	0,7	VFD007F23A	5	VFD007F43A	2,7
2	1,5	VFD015F23A	7	VFD015F43A	4,2
3	2,2	VFD022F23A	11	VFD022F43A	5,5
5	3,7	VFD037F23A	17	VFD037F43A	8,5
7,5	5,5	VFD055F23A	25	VFD055F43B	13
10	7,5	VFD075F23A	33	VFD075F43B	18
15	11	VFD110F23A	49	VFD110F43A	24
20	15	VFD150F23A	65	VFD150F43A	32
25	18,5	VFD185F23A	75	VFD185F43A	38
30	22	VFD220F23A	90	VFD220F43A	45
40	30	VFD300F23A	120	VFD300F43A	60
50	37	VFD370F23A	145	VFD370F43A	73
60	45	Not Available		VFD450F43A	91
75	55			VFD550F43A	110
100	75			VFD750F43A	150
125	90			VFD900F43A	180
150	110			VFD1100F43A	220

For dimensions please check with office

Notes:

- 1 All VFD-F drives are Variable Torque rated.
- 2 All VFD-F drives are Nema 1 rated enclosures.
- 3 All VFD-F drives are UL, cUL and CE marked.
- 4 An EMI filter is required to conform to the CE EMI directive.
- 5 Please refer to the Accessory list for optional items used with the drives above.

VFD	2	3	A
Variable Frequency Drive	Voltage	Phase	Version
	2 = 230V	1 = single	A = 1st version
	4 = 460V	3 = three	B = 2nd version

MEP TORONTO - T: 1-877-812-7788 - F: 905-829-8155 - EMAIL: information@mep.ca - WEB: www.mep.ca
 MEP MONTREAL - T:1-800-361-2347 - F: 514-352-7803 - EMAIL: info@mep.ca - WEB: www.mep.ca



www.mep.ca



1000:1 Speed Control

VFD-V Selection Table

Flux Vector / Torque Control AC Drive
(V/F, Open Loop, Closed Loop, and Highspeed)

Nominal Drive Rating		230V		460V	
		Three Phase Input		Three Phase Input	
HP	kW	Part Number	O/P Rated Amps	Part Number	O/P Rated Amps
1	0,7	VFD007V23A	5	VFD007V43A	1,3
2	1,5	VFD015V23A	7,5	VFD015V43A	5,3
3	2,2	VFD022V23A	11	VFD022V43A	7,5
5	3,7	VFD037V23A	17	VFD037V43A	10
7,5	5,5	VFD055V23A	25	VFD055V43A	16
10	7,5	VFD075V23A	33	VFD075V43A	22
15	11	VFD110V23A	49	VFD110V43A	30
20	15	VFD150V23A	65	VFD150V43A	40
25	18,5	VFD185V23A	75	VFD185V43A	47
30	22	VFD220V23A	90	VFD220V43A	56
40	30	VFD300V23A	120	VFD300V43A	75
50	37	VFD370V23A	146	VFD370V43A	91
60	45	Not Available		VFD450V43A	113
75	55			VFD550V43A	128
100	75			VFD750V43A	188

For dimensions please check with office

Notes:

- All VFD-V drives are Constant and Variable Torque rated.
- All VFD-V drives are Nema 1 rated enclosures.
- All VFD-V drives are UL, cUL and CE marked.
- An EMI filter is required to conform to the CE EMI directive
- Please refer to the Accessory list for optional items used with the drives above.
- All VFD-V drives are capable of 0 - 3000Hz in V/F mode for spindle applications.
- Optional PG03 card is needed for closed loop control.
- Optional PG04 card is needed for closed loop control and position control.

VFD	2	3	A
Variable Frequency Drive	Voltage	Phase	Version
	2 = 230V	1 = single	A = 1st version
	4 = 460V	3 = three	B = 2nd version

MEP TORONTO - T: 1-877-812-7788 - F: 905-829-8155 - EMAIL: information@mep.ca - WEB: www.mep.ca
MEP MONTREAL - T: 1-800-361-2347 - F: 514-352-7803 - EMAIL: info@mep.ca - WEB: www.mep.ca



www.mep.ca



VFD Accessories

Keypad Extension Cables

Part Number	Length	Remarks
EG1010A	1 meter	Use on VFD-B and VFD-M drive standard keypad only
EG2010A	2 meters	
EG3010A	3 meters	
EG5010A	5 meters	

Din Rail Kits

Part Number	Remarks
DR01	Use on VFD-M drive (Version A), VFD-S (1/4, 1/2, and 1hp 230V)
DR02	Use on VFD-M drive (Version B)

Keypads

Part Number	Remarks
LC-M02E	Standard keypad shipped with all VFD-M drives
VFD-PU01	Standard keypad shipped with all VFD-B drives
VFD-PU06**	LED keypad with memory used with the VFD-B, M, and S
RPA-01	Nema 1 recessed keypad holder for flush mounting the VFD-PU01

** PU06 is used with the following software versions (B=4.01 or higher, M=3.0 or higher, S=2.5 or higher)

Remote Start/Stop Station

Part Number	Remarks
RC-01	A remote Start/Stop station in a steel enclosure. Used with all drives.

Encoder Feedback Card

Part Number	Remarks
PG-03	Encoder feedback card used on the VFD-V & B-Series series
PG-04	Positioning Encoder feedback card used on the VFD-V series

Communication

Part Number	Remarks
DN-02	External Module for Device Net Communication
PD-01	External Module for Profibus Communication
LN-01	External Module for Lon Works Communication



www.mep.ca



VFD Braking Resistor Selection Guide

230V Braking Resistors

Part Number	Use on ...	Specifications
BR080W200	1/4, 1/2, 1hp	200 ohm, 80 W
BR300W100	2hp	100 ohm, 300 W
BR300W070	3hp	70 ohm, 300 W
BR400W040	5hp	40 ohm, 400 W
BR500W030	7.5hp	30 ohm, 500 W
BR1K0W020	10hp	20 ohm, 1000 W
BR1K2W6P8	15hp (2pcs), 30hp (4pcs) see note 1, 2	6.8 ohm, 1200 W
BR1K5W005	20hp (2pcs), 40hp (4pcs) see note 1, 2	5 ohm, 1500 W
BR1K2W008	25hp (4pcs), 50hp (8pcs) see note 1, 2	8 ohm, 1200 W

460V Braking Resistors

Part Number	Use on ...	Specifications
BR080W750	1hp	80 ohm, 750 W
BR300W400	2hp	300 ohm, 400W
BR300W250	3hp	300 ohm, 250 W
BR400W150	5hp	400 ohm, 150 W
BR500W100	7.5hp	100 ohm, 500 W
BR1K0W075	10hp	75 ohm, 1000 W
BR1K0W050	15hp	50 ohm, 1000 W
BR1K5W040	20hp see note 1	40 ohm, 1500 W
BR1K2W008	25hp (4pcs), 50hp (8pcs) see note 1, 2	8 ohm, 1200 W
BR1K2W6P8	30hp (4pcs), 60hp (8pcs), 100hp (16pcs) see note 1, 2	6.8 ohm, 1200 W
BR1K5W005	40hp (4pcs), 75hp (8pcs) see note 1, 2	5 ohm, 1500 W

600V Braking Resistors

Part Number	Use on ...	Specifications
BR300W400	1hp	300 ohm, 400 W
BR300W250	2hp	300 ohm, 250W
BR400W150	3hp, 5hp	400 ohm, 150 W
BR500W100	7.5hp, 10hp, 15hp	500 ohm, 100 W

Electric Braking Units

230V

Part Number	Use on ...
VFDB2015	20HP (1 PC), 40HP, 50HP (2 PCS)
VFDB2022	25HP-30HP(1pc)

460V

Part Number	Use on ...
VFDB4030	20HP-40HP (1 PC), 75HP (2 PC)
VFDB4045	50HP, 60HP (1PC), 100HP (2PCS)

Notes:

- 1) An electronic brake unit must also be purchased with these resistors.
- 2) Quantities listed next to the HP size are required for proper braking torque.
- 3) Electronic Brake Units do not include resistors, please see the braking resistor chart.

MEP TORONTO - T: 1-877-812-7788 - F: 905-829-8155- EMAIL: information@mep.ca - WEB: www.mep.ca
 MEP MONTREAL - T: 1-800-361-2347 - F: 514-352-7803 - EMAIL: info@mep.ca - WEB: www.mep.ca



www.mep.ca

DISTRIBUTED BY

Toronto: MEP Drives Limited 2831 Bristol Circle, Unit 3, Oakville, Ontario L6H 6X5
[T] 1.877.812.7788 [F] 905.829.8155 [E] information@mep.ca

Montreal: MEP Inc. 10021 Renaude Lapointe, Anjou Qc H1J 2T4
[T] 1.800.361.2347 [F] 514.352.7803 [E] info@mep.ca